

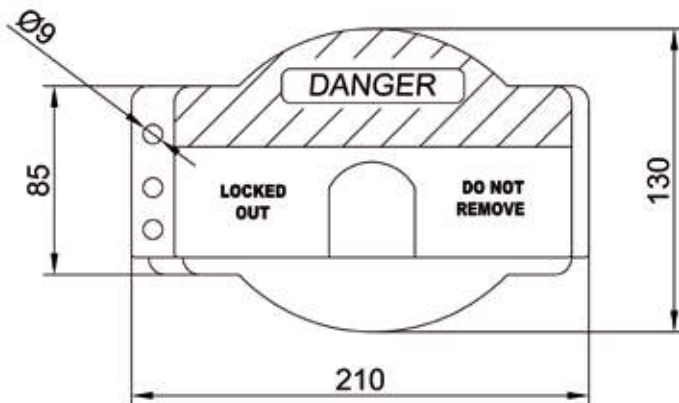


Circular valve lockout

ART000774



DIMENSIONS



FEATURES

- Made of ABS polymer, highly resistant to shocks and abrasion.
- Resistant to extreme temperatures between -40°C and 180°C .
- Lockable with 8.5 mm maximum shackle diameter padlocks.
- Includes marking stickers for the valve protected by the locking device.