

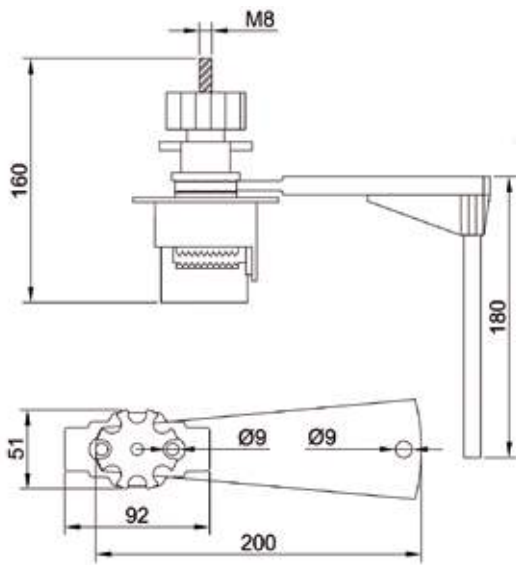


# Valve lockouts with blocking arms

ART00777



## DIMENSIONS



## FEATURES

- Designed to secure the activation handle on various types of valve.
- Available in single- and double-arm versions to suit adjustment and safety level needs.
- Maximum security guaranteed thanks to steel teeth that secure the valve in the correct position and the rotating axis design that enables the device to be fully adjusted.
- Made from high performance polyamide, an extremely impact and wear resistant material. It also has high insulation strength against extreme temperatures.
- The metallic parts (arms, teeth and screws) are made from stainless steel.
- Resistant to temperatures between -40°C and 180°C.
- They adapt to handle widths up to 45mm and a maximum thickness of 25mm.
- Maximum arm length of 170mm.
- Lockable with up to two 9.5 mm maximum shackle diameter padlocks.