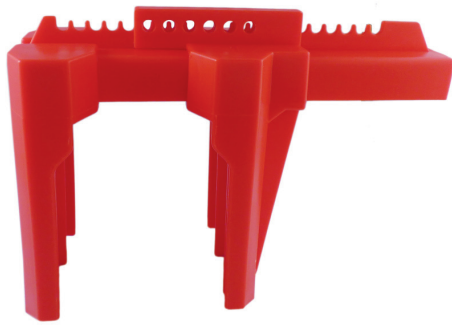
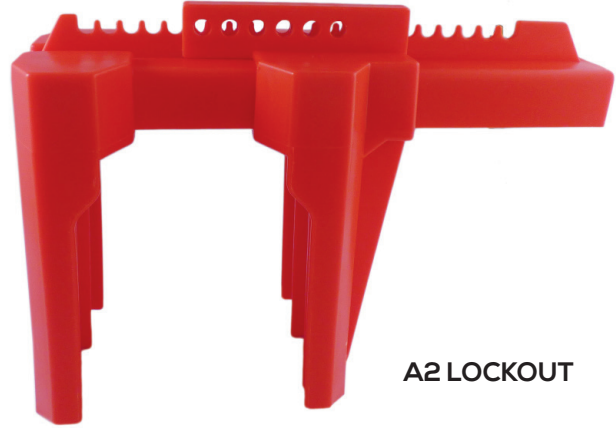


## 1/4 turn valve adjustable lockouts



A1 LOCKOUT

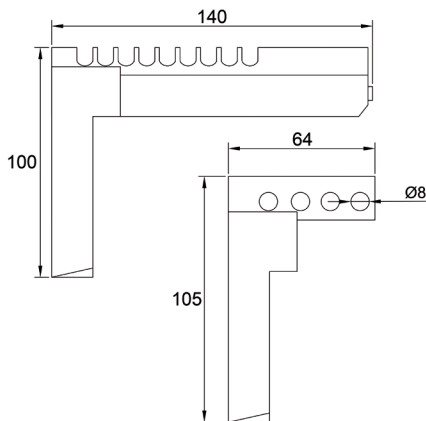


A2 LOCKOUT

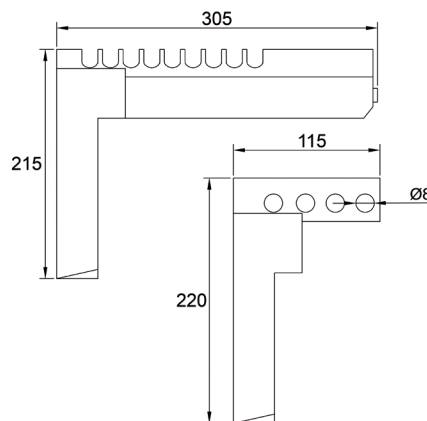
### FEATURES. A1-A2 lockouts

- Designed to lock the stopcocks on various 1/4 turn valves.
- Made from high performance polyamide an extremely impact and wear resistant material. It also has high insulation strength against extreme temperatures.
- Available in two sizes:
  - For stopcocks between 6.5 and 65mm or pipes with diameters between 14.5 and 52.5mm
  - For stopcocks up to 205 mm. or pipes with diameters between 50 and 200mm.
- Resistant to temperatures between -40°C and 180°C.
- Lockable with up to three padlocks with shackle diameter up to 8.5mm.

### DIMENSIONS. A1-A2 lockouts



A1 LOCKOUT



A2 LOCKOUT

See next page



## 1/4 turn valve adjustable lockouts



B1 LOCKOUT

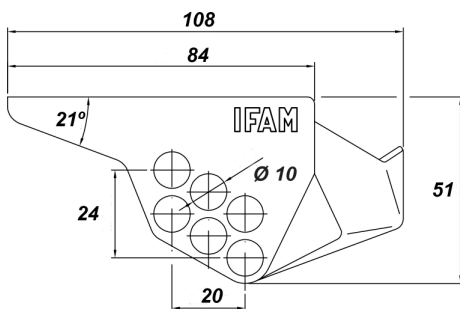


B2 LOCKOUT

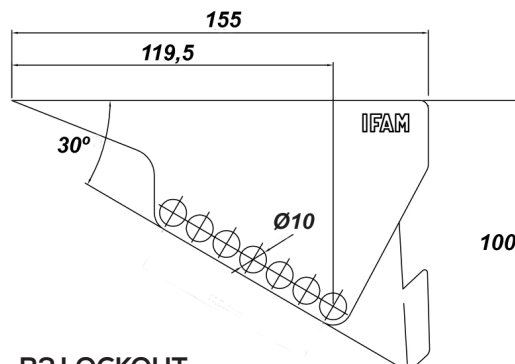
### FEATURES. B1-B2 lockouts

- Devices designed to lock ¼ turn valve keys for shut-off valves up to 76mm.
- Made from steel covered in a special paint that provides resistance to extreme temperatures, UV ray degradation and chemical agents.
- Available in two sizes.
- Very quick and easy to install.
- Lockable with up to six padlocks with shackle diameter up to 8.5mm.

### DIMENSIONS. B1-B2 lockouts



B1 LOCKOUT



B2 LOCKOUT