

ET 91

Product Data Sheet



Description:

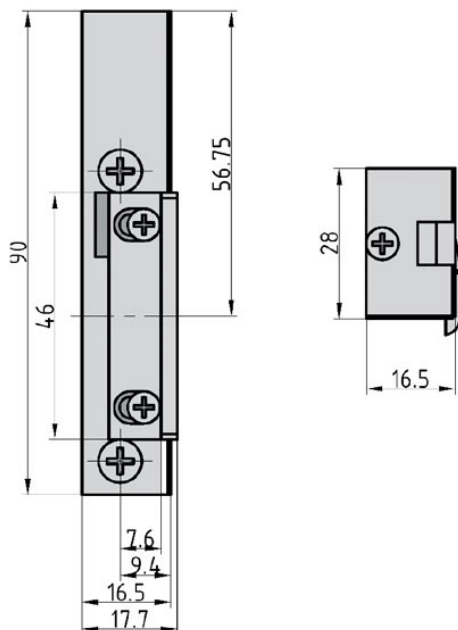
The ET 91 is an electronic door opener from Effeff with mechanical unlocking. It can be used for left-opening doors due to its asymmetrical construction.

- use for 6-12 Volt
- flat design: 16.5 mm
- asymmetrical
- with mechanical unlocking
- usable in DIN left


Illustration:



Technical Details:



Details:

Order no.
9200-0012
Weight
166 g
Pricegroup
49
EAN
 4 026434 078602