

# Additional Window Protection FS 500



for single-leaf or double-leaf windows  
and french doors that open inwards

easy handling

with a pushbutton lock



**ORIGINAL INSTALLATION INSTRUCTIONS**



[facebook.com/BASIGmbH](https://facebook.com/BASIGmbH)



[@basi\\_gmbh](https://instagram.com/basi_gmbh)



[www.basi.eu](http://www.basi.eu)

## General Notes

### Intended use

The additional window and French door lock FS 500 provides additional protection against unauthorised entry into rooms. It can be mounted to single-leaf or double-leaf plastic or wooden windows and French doors that open inwards. As the additional lock can be unlocked without keys or tools, it is not suitable as a child lock.

The ideal level of protection can only be achieved, if you follow these assembly instructions.

Follow the instructions in this manual on how to mount the additional lock correctly. Keep the assembly instructions in a safe place in case you need to remove or replace the additional lock.

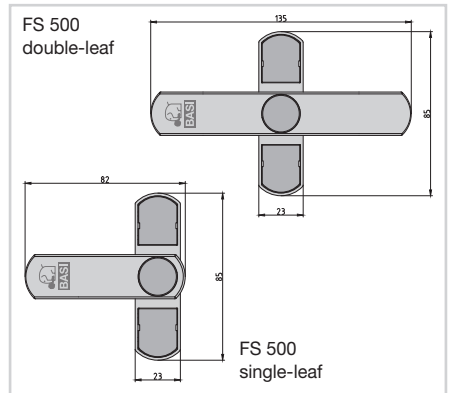


**Warnings:** No hazards are to be expected, if the device is used in accordance with the instructions and in a professional manner.

Small parts and packaging materials can be swallowed by children and lead to choking! Make sure that small parts and packaging materials do not get into the hands of children. Dispose of the packaging material immediately.

The additional window and French door lock FS 500 protects your windows and French doors against burglary attempts. It can be mounted discreetly at one or several places on windows or French doors as required. It clicks into place automatically once locked. It is unlocked by pressing a pushbutton.

- Optimum security: Makes it more difficult to lever out window and French door casements with tilt and turn systems.



- Is suitable for all types of windows and French doors (for plastic and wooden frames).

- Each to mount and handle: Suitable for attachment to the head or handle sides. The locks can be unlocked without keys.

The manufacturer expressly reserves the right to make technical changes.

### Disclaimer

The manufacturer accepts no liability for damage and/or injury resulting from improper handling and/or assembly of the product or use of the required tools. If you use power tools (e.g. drill), follow all safety instructions of the tool manufacturer.

### Scope of delivery

Check that the delivery is complete:

- 1x window and French door lock
- 4x M5x50 mm self-tapping screws
- 1x 1 mm spacer plate
- 1x 2 mm spacer plate

## Required tools

- screwdriver
- drill with matching bit: Ø 3 mm
- tape measure
- marker pen, scribing needle or similar

## General installation tips

- Before installation, make sure that the window and French door can be opened and closed easily.
- When drilling, be careful not to damage moving parts, seals and the glass pane.
- When drilling and tightening the screws, make sure that the drill bit / screws do not come out at the back of the window frame. Adapt the length of the screws to the window frame and use a drilling template.
- Tighten the fastening screws by hand with a suitable screwdriver to avoid over-twisting.
- Recommendation: Mount a second additional window and French door lock, if the window pane exceeds 1 m diagonally.
- The lock is most effective, if it is mounted about 150 – 200 mm from the lower or upper edge of the casement.

## Installation steps

1. Close the window or the French door and measure the installation position (see also Figure 2).
2. Flip the bar (A) of the additional lock (see Figure 3) and remove the caps (C).
3. Position the attachment block (B) on the window frame (F). Maintain a 2 mm distance between the window casement (D) and the attachment block (B). The sup-

plied 2 mm distance plate (H) can be used here to establish the distance.

4. Mark all 4 boreholes for the attachment screws (E). Then pre-drill the boreholes with a Ø 3 mm drill and screw the attachment block (B) to the window frame (F) using self-tapping screws (E).

5. To ensure that the bar (A) does not scrape the window casement during locking and unlocking, you may have to use the supplied distance plates (H) to adjust the height.

6. Then press the 2 caps (C) back onto the cut-out for the attachment screws (E).

## Operation

- To lock the window and French door, unfold the bar (A) until it clicks into place.
- To unlock, keep the pushbutton (G) pressed, and turn the bar (A) back.

## Cleaning/maintenance

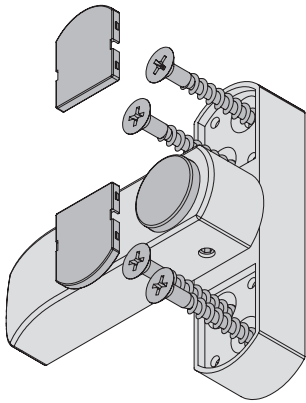
Slight soiling of the additional window and French door lock FS 500 can be removed with a damp cloth.



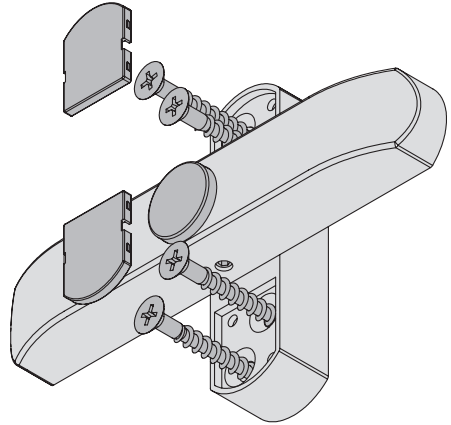
## Disposal

Help to protect the environment and dispose of the product and the packaging materials in accordance with the local regulations.

Figure 1: FS 65 additional window and french door lock



FS 500 single-leaf



FS 500 double-leaf

Figure 2: recommended installation position

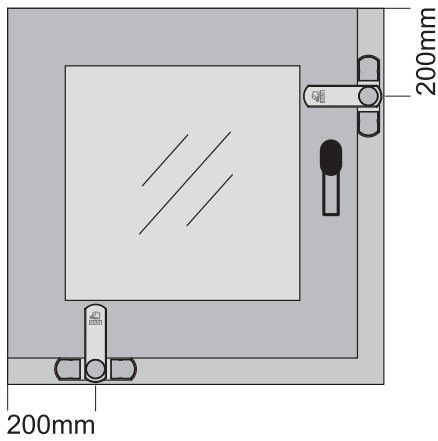
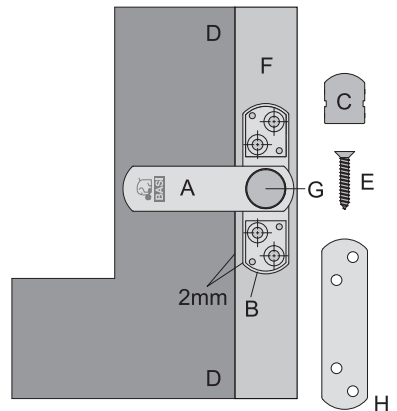
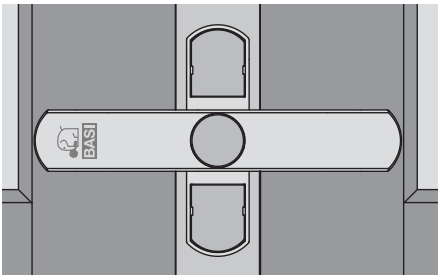
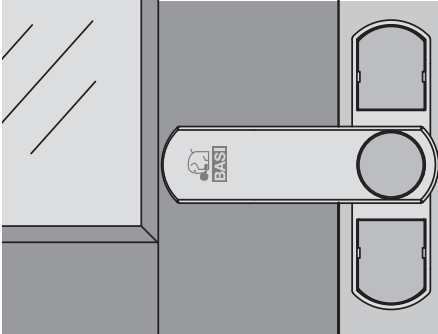


Figure 3: installation of the attachment block



## Technical data

- scope window and French doors: single-leaf or double-leaf
- material toggle: Die-cast zinc
- unlocking: By means of a pushbutton
- colours: white, brown



overview, locked position

© Copyright

Reproduction or duplication  
(even excerpts thereof)  
is forbidden without the consent of:  
BASI GmbH  
Konstantinstraße 387  
41238 Mönchengladbach  
Germany

2023

This publication, including all its parts,  
is protected by copyright.

Any use outside the narrow  
limits of copyright law  
without the consent of BASI GmbH  
is not allowed and is liable  
to prosecution.

This applies in particular  
to duplications,  
translations, microfilming  
and importing and processing  
in electronic systems.

BASI GmbH  
Konstantinstraße 387  
41238 Mönchengladbach  
Germany