

**DEAD AND ADJUSTABLE LATCH BOLT**

Latch bolt interchangeable with roller bolt cod.0535



**CONSTRUCTIVE FEATURES:**

Zinc and plastic plated steel case and cover - Stainless steel forend - Nickel-plated steel dead bolt - Nickel-plated special alloy anti-noise latch bolt - Zinc-plated special alloy square spindle device  $\varnothing$  8 mm.

**WORKING:**

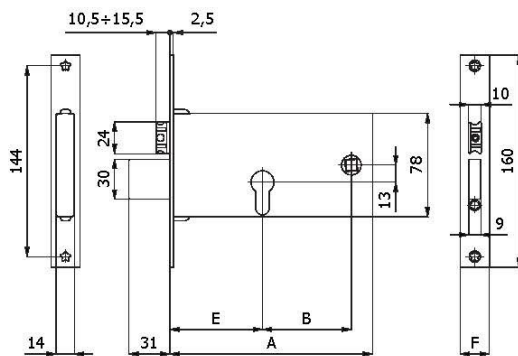
Key driven dead bolt - Handle or key driven latch bolt.




**HAND:**

Reversible.

**PROVIDED WITH:**

Cylinder screw.



COD.	E	F	A	B	Throws			
1770	70	16	153	67	3	0,58	1	10
1770/F22	70	22	153	67	3	0,60	1	10