

HOOK BOLT



CONSTRUCTIVE FEATURES:

Zinc and plastic plated steel case and cover - Stainless steel forend - Nickel-plated special alloy hook bolt - Cross key cylinder cod. 4054 or 4054/1 (with long keys).

WORKING:

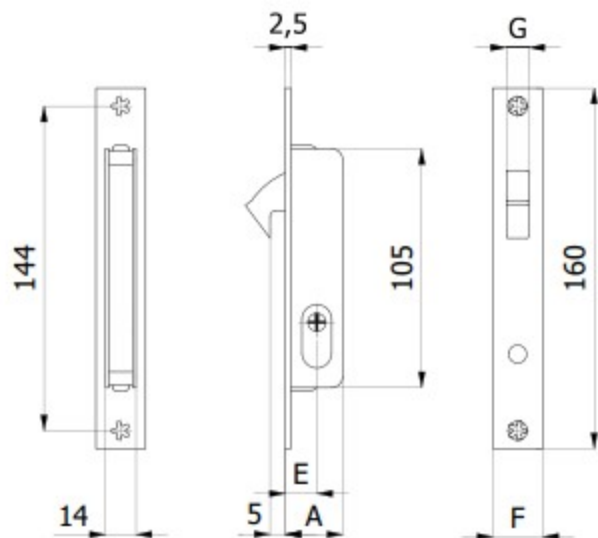
Key driven hook bolt.




HAND:

No hand.

PROVIDED WITH:

3 keys, 2 escutcheons cod. 0441 N.



COD.	E	F	A	G		Throws			
4356	15	16	26	10	4100	1	0,28	1	10
4356/F22	15	22	26	10	4100	1	0,30	1	10
4356 P1	15	16	26	6	4100	1	0,28	1	10
4***/1	Long key				4101	-	+ 0,02	-	-