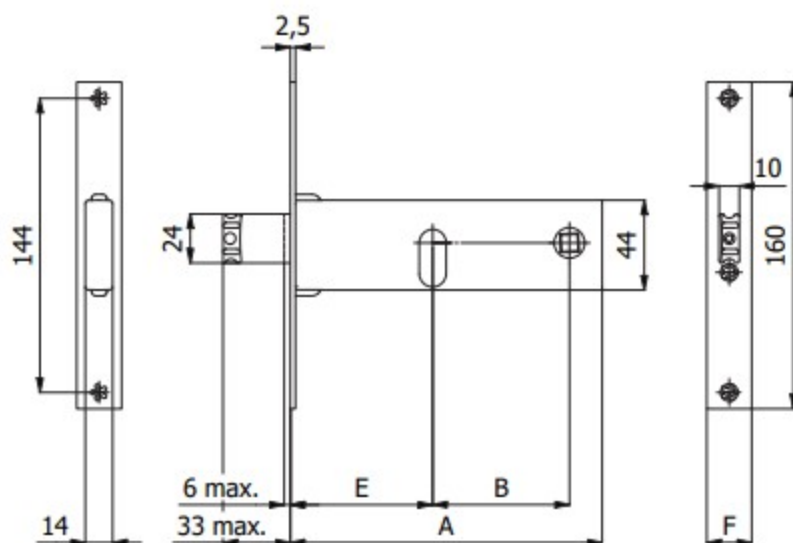


## ADJUSTABLE LATCH BOLT WITH THROWS

Latch bolt interchangeable with roller bolt cod. 0395



### CONSTRUCTIVE FEATURES:

Zinc and plastic plated steel case and cover - Stainless steel forend - Nickel-plated special alloy anti-noise latch bolt - Zinc-plated special alloy square spindle device  $\square 8$  mm

### WORKING:

Key driven throws - Handle or key driven latch bolt.

### HAND:

Reversible.

### PROVIDED WITH:

Cylinder screw.

COD.	E	F	A	B	Throws	kg		
390	60	16	133	47	2	0,36	1	10
390/F22	60	22	133	47	2	0,38	1	10
790	70	16	153	67	2	0,39	1	10
790/F22	70	22	153	67	2	0,41	1	10
790-TT/F15	70	14,6	153	67	2	0,39	1	10
890	80	16	163	67	2	0,40	1	10
890/F22	80	22	163	67	2	0,42	1	10
890-TT/F15	80	14,6	163	67	2	0,40	1	10
990	90	16	173	67	2	0,42	1	10
990/F22	90	22	173	67	2	0,44	1	10
990-TT/F15	90	14,6	173	67	2	0,42	1	10