

# Product Data Sheet

## Description:

HS 312

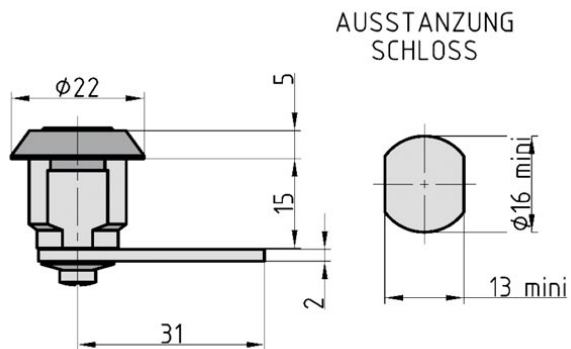
The cam lock HS 312 is suitable for Burg letterboxes.

- Includes 2 keys
- Material: bright chrome-plated
- With nut for secure mounting
- Keyed different

## Illustration:



## Technical Details:



## Details:

<b>Order no.</b>
9000-1312
<b>Weight</b>
44 g
<b>Pricegroup</b>
14
<b>EAN</b>
 4 026434 072822

Konstantinstraße 387  
41238 Mönchengladbach  
Germany

Tel. +49 (0) 21 66 / 98 56-0  
Fax +49 (0) 21 66 / 98 56-55

info@basi.eu  
www.basi.eu

**Alles in Sicherheit**

