

# Product Data Sheet

## Description:

HS 329

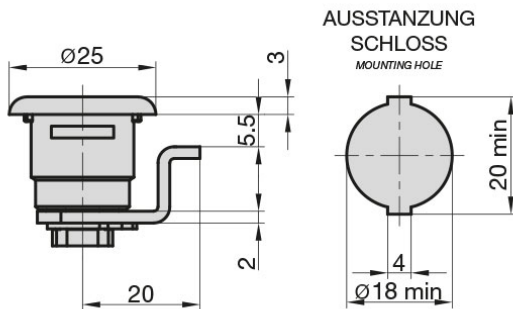
The cam lock HS 329 is suitable for letterboxes from RENZ manufactured from 1980.

- Includes 2 keys
- Material: stainless steel and stainless steel cap
- With clip for mounting
- Keyed different


## Illustration:



## Technical Details:



## Details:

<b>Order no.</b>
9000-1329
<b>Weight</b>
55 g
<b>Pricegroup</b>
14
<b>EAN</b>
 4 026434 070682

Konstantinstraße 387  
41238 Mönchengladbach  
Germany

Tel. +49 (0) 21 66 / 98 56-0  
Fax +49 (0) 21 66 / 98 56-55

info@basi.eu  
www.basi.eu

**Alles in Sicherheit**

