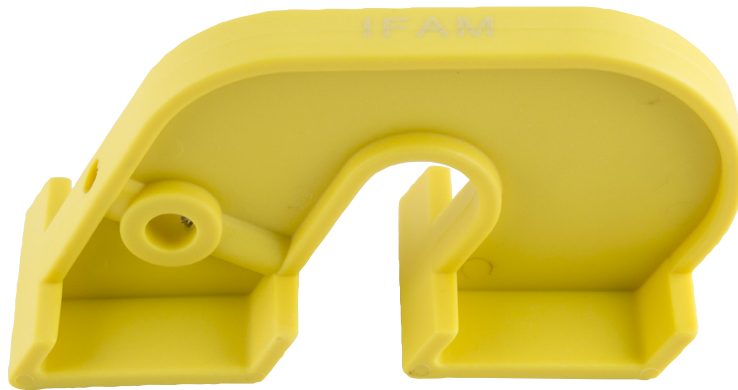


Thermal magnetic circuit breaker universal lockouts

ART01064



UNIVERSAL LOCKOUT

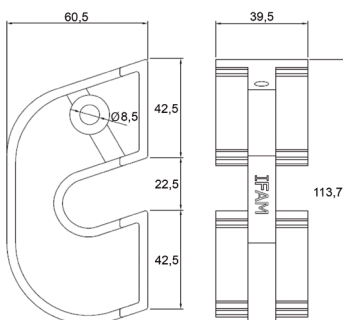


UNIVERSAL LOCKOUT
MINI

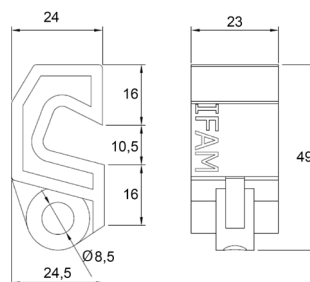
FEATURES

- Devices designed to lockout most of the thermal-magnetic switches on a distribution panel. Available in two sizes, depending on the switch to be locked.
- Made from nylon and 30% fibreglass for added resistance.
- Stainless steel bolts and screws.
- Resistant to chemical substances and extreme temperatures.
- Button or screw adjustment.
Flat point screwdriver is needed.
- Lockable with a maximum shackle diameter padlock of a 7.5 mm. (Universal) and 5.5 mm (Universal mini).

DIMENSIONS



UNIVERSAL LOCKOUT



UNIVERSAL LOCKOUT
MINI