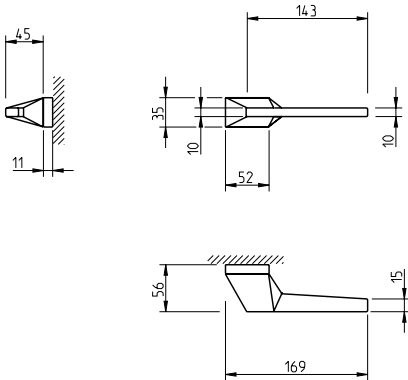


REF. 4004 RE



Descrição

Puxador par
Adaptador com sistema "click"
Mola recuperadora
Ferro quadrado de 8x100mm
Fixação da muleta com perno M6 oculto

Description

Lever set
Mechanism with "click" system
Recovery spring
8x100mm square spindle
Handle fixed by a M6 grub screw

Matéria Prima

Latão CW617N

Raw Material

Brass CW617N

Aplicação

Portas interiores com 30mm - 45mm espessura

Application

Interior doors with 30mm - 45mm thick

EN 1906

2	7	-	0	0	4	0	B
---	---	---	---	---	---	---	---

(acabamentos / finishes 03 - 153)

2	7	-	0	0	3	0	B
---	---	---	---	---	---	---	---

(acabamentos / finishes 141 - 142 - 158)

3	7	-	0	0	4	0	B
---	---	---	---	---	---	---	---

(acabamentos / finishes 96)